

**SCHLETTER**

WE SUPPORT SOLAR.

**AGRI-PV**

**Systems**

**by**

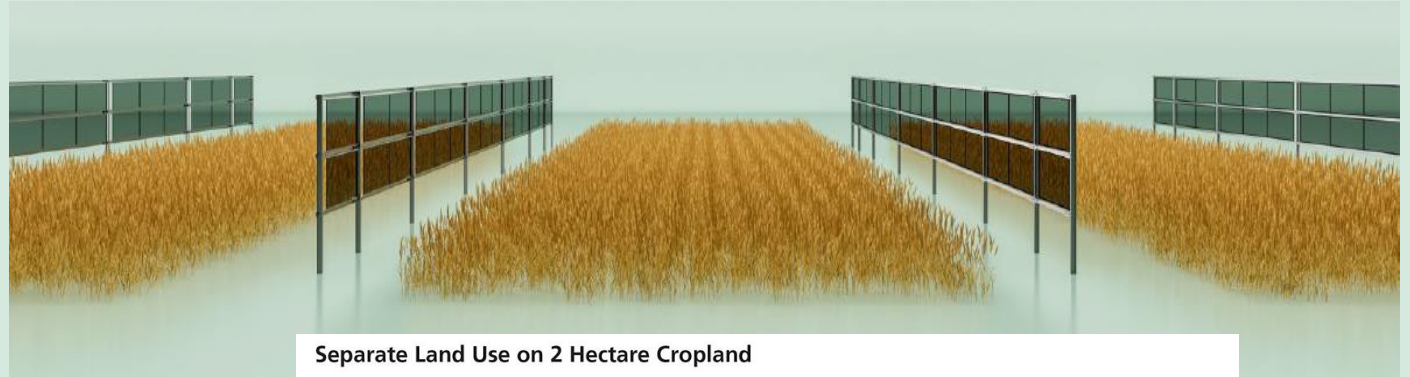
**SCHLETTER**

Tariq Qandil  
Stockholm, SWEDEN  
Schletter Solar GmbH  
+46-8-12400804

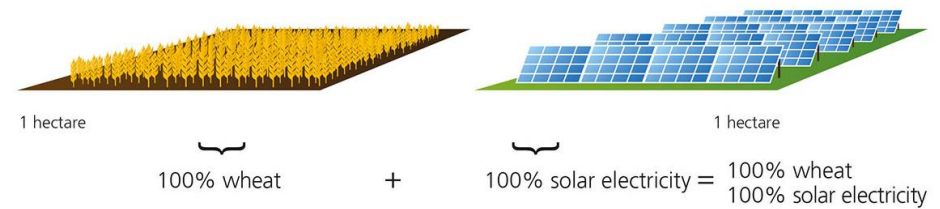


# What is AGRI-PV / Agrivoltaics ?

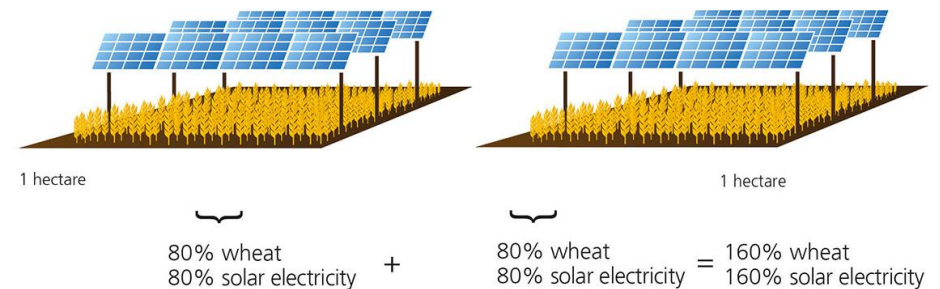
- Combined use of existing farming areas for power generation & agriculture.
- Increase productivity of the land up to 160% (= 80% pv energy + 80% agricultural use).
- Best with bifacial modules (front side orientation to West)



Separate Land Use on 2 Hectare Cropland



Combined Land Use on 2 Hectare Cropland: Efficiency increases over 60%



**SCHLETTER**

WE SUPPORT SOLAR.

**SunRide**  
**Carport Ssystems**  
**by**  
**SCHLETTER**

Tariq Qandil  
Stockholm, SWEDEN  
Schletter Solar GmbH  
+46-8-12400804

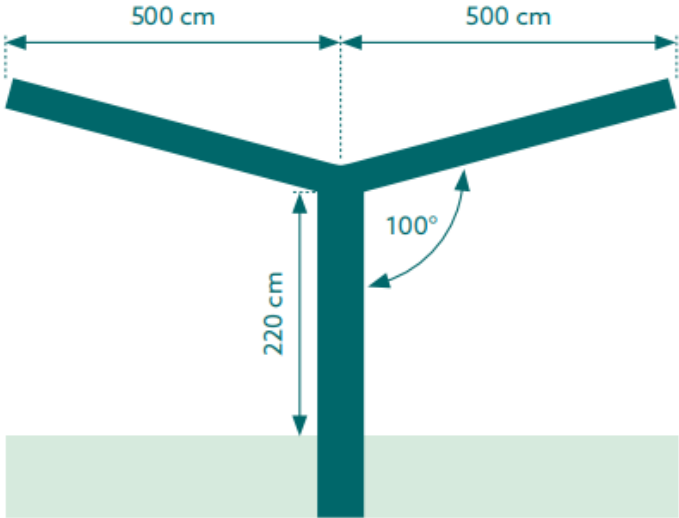


# SunRide Carports – Robust & Low Maintenance.

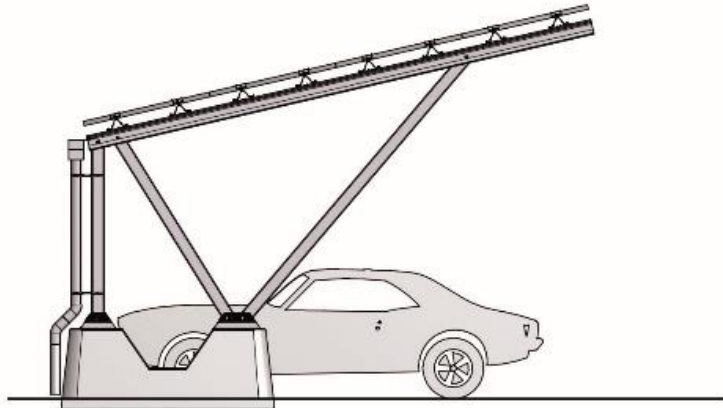
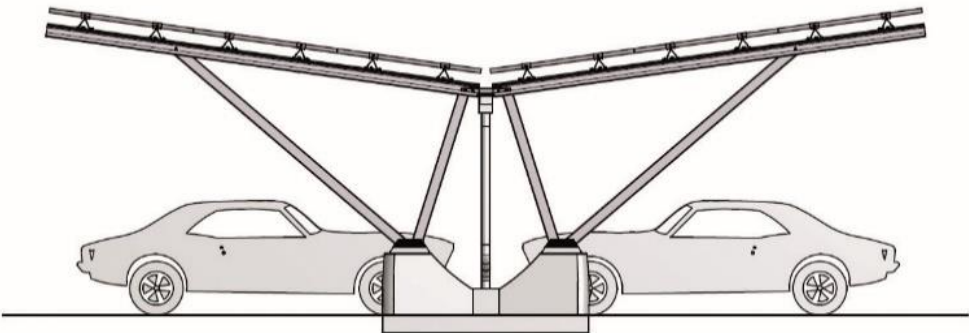
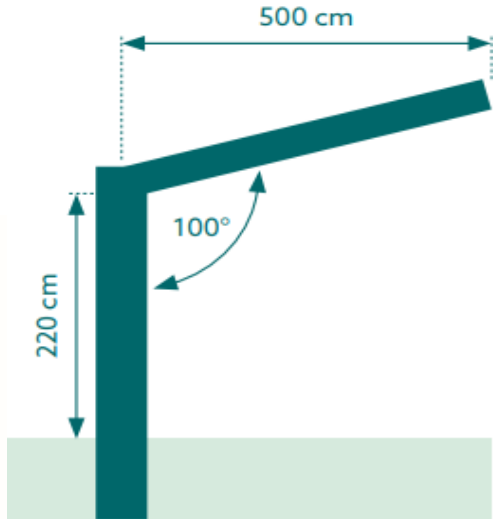
SCHLETTER



**DOUBLE WING**  
2 ROW LAYOUT



**SINGLE WING**  
1 ROW LAYOUT



**Thanks for your attention**



**HOW CAN WE  
SUPPORT YOU  
MORE?**

[WWW.SCHLETTER-GROUP.COM](http://WWW.SCHLETTER-GROUP.COM)